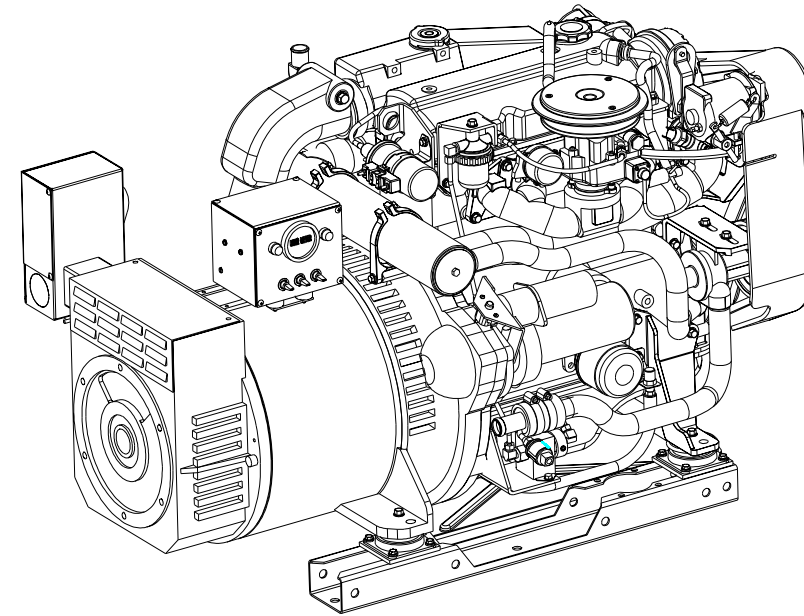
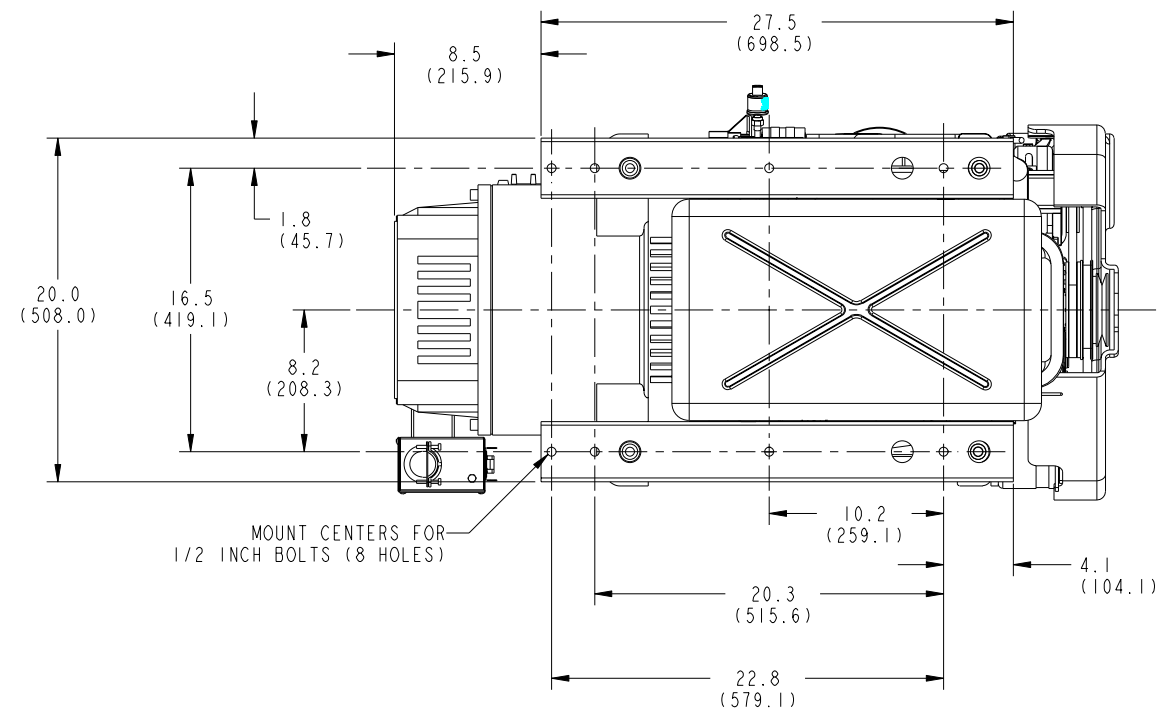
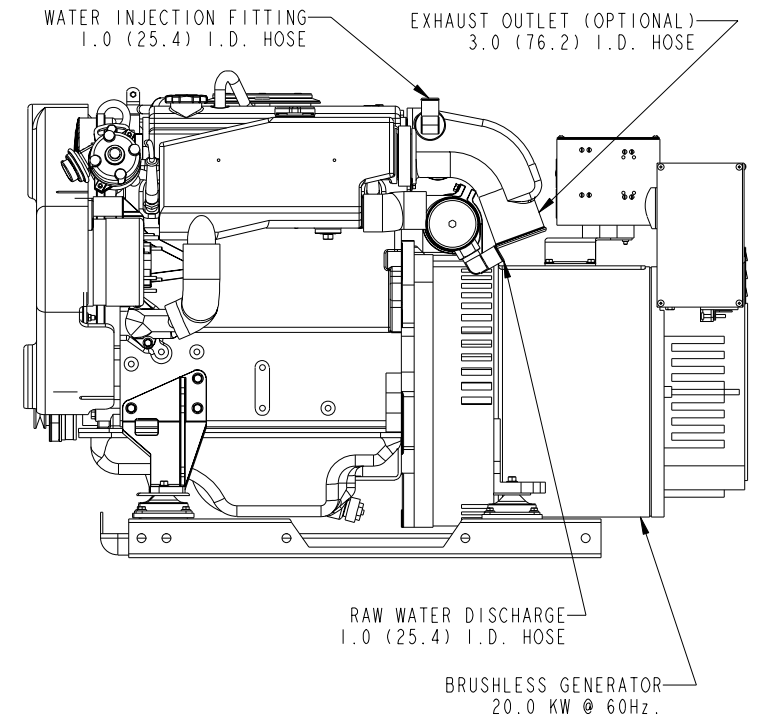
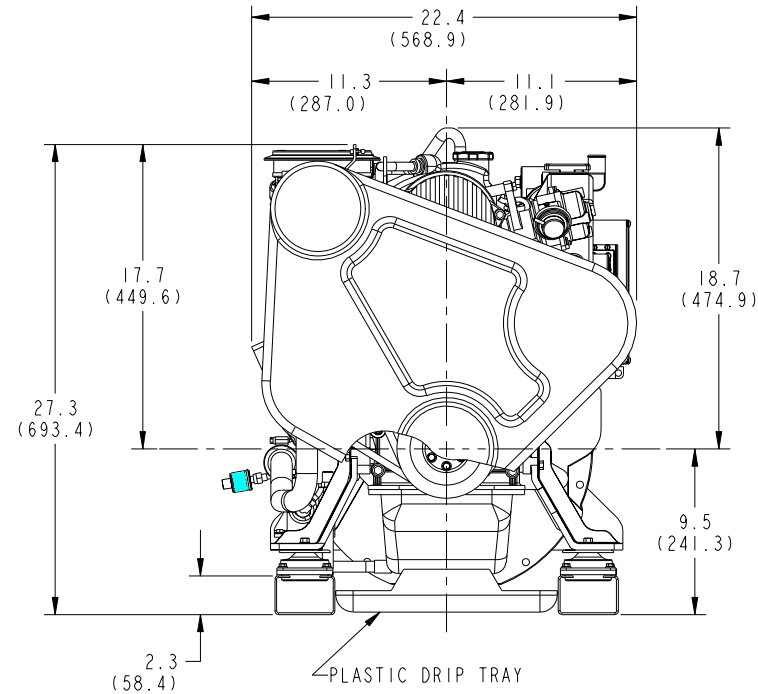
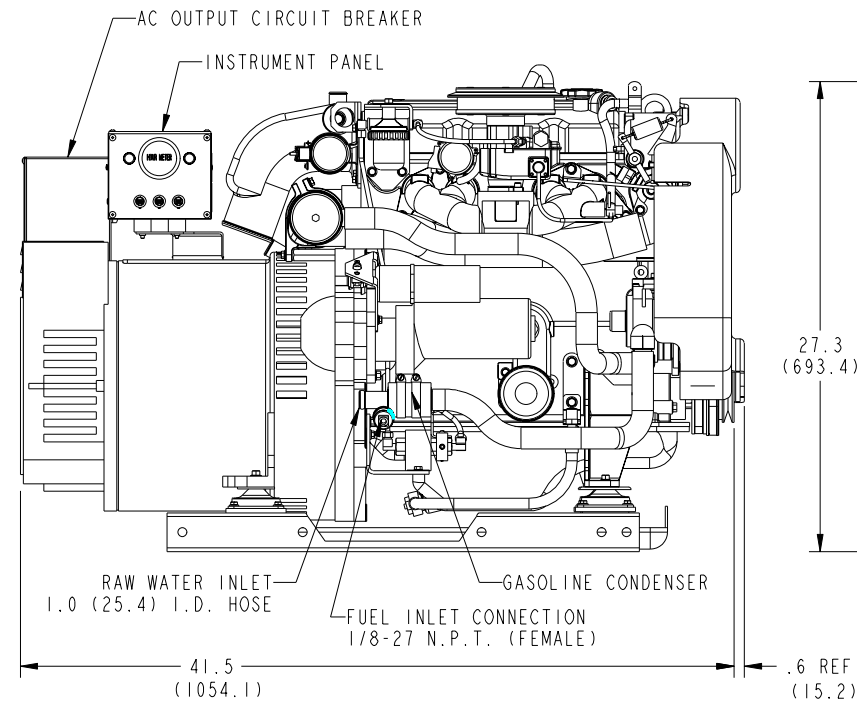
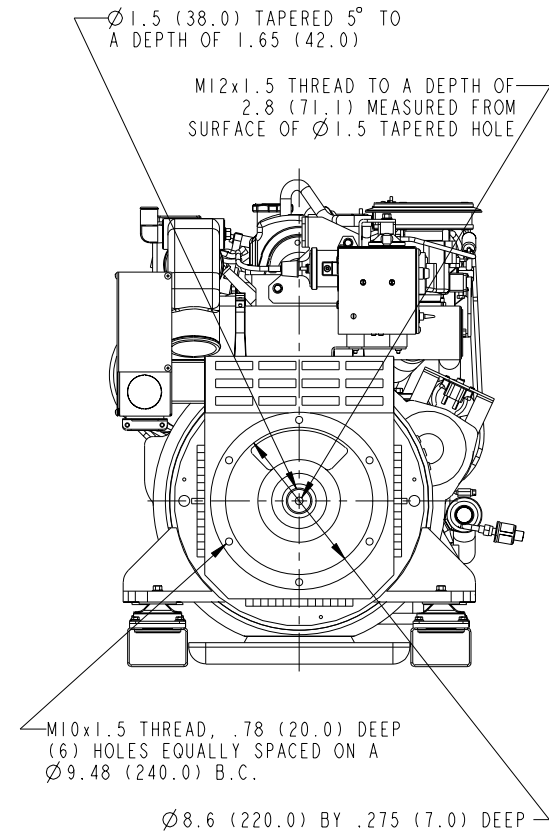
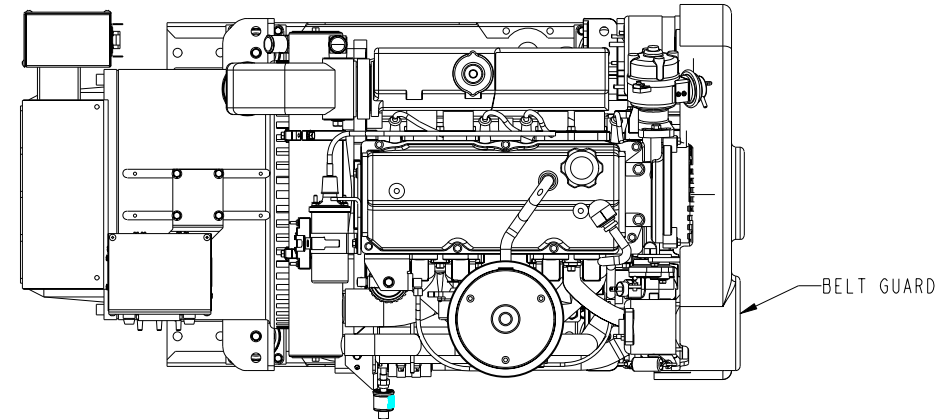


| ECO NO. | DATE | REV. | REVISION RECORD | AUTH. | DR. BY |
|---------|---------------|------|---|-------|--------|
| 4311 | 11-29 1999 | A | (1) ADDED "25 KW BEG" TO TITLE (2) EXHAUST OUTLET DIAMETER CHANGED FROM 2" TO 3" (3) CHANGED BREAKER BOX MOUNTING | | JM |
| 5354 | 8-28 02 | B | UPDATE ASM TO REFLECT CURRENT BOM | | BM |
| 5425 | 12-12 02 | C | ADDED PART #48076 TO ASSEMBLY | | BM |



| TOLERANCES (UNLESS OTHERWISE NOTED) | | WESTERBEKE CORPORATION TAUNTON, MA. 02780 | |
|-------------------------------------|-------------|--|----------------|
| INCHES | MILLIMETERS | TITLE | |
| .XX | X ± 1.0 | INSTALLATION DRAWING | |
| .XXX | .X ± .5 | 20.0 KW BEG AND 25.0 KW BEG | |
| CAST | .XX ± .13 | | |
| ANGLES | ± .5° | | |
| FINISH | ± | | |
| DIMENSIONS | | DRAWN BY JM | DATE 12-8-98 |
| APPROVED BY | | DATE | |
| SCALE 0.187 | | SIZE | DRAWING NUMBER |
| (WHEN APPLICABLE) | | SHT. 1 OF 1 | 43328 |
| | | | REV. C |